

Installation Instructions

2014 Honda Civic Coupe

PARTS LIST

Tape Measure



Hood Protector



Large Pedestals (3)



Small Pedestals (2)



Pins (5)



6 x 5/8+Flat Head Screws (5)



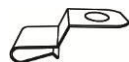
Anti-abrasion Film Pads (5)



Large Metal Mounting Brackets (3)



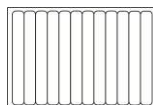
Small Metal Mounting Brackets (2)



Alcohol Wipes (1)



Tape strip sheet (repositionable) (1)



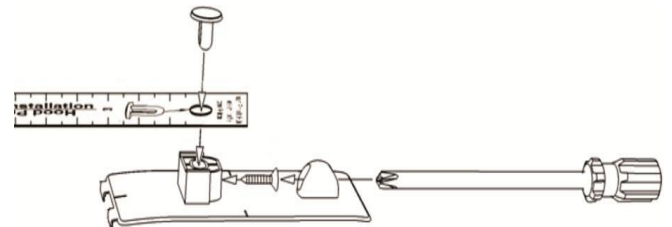
TOOLS AND SUPPLIES REQUIRED

Long Shank Phillips Screwdriver #2

Clean cloth or paper towel

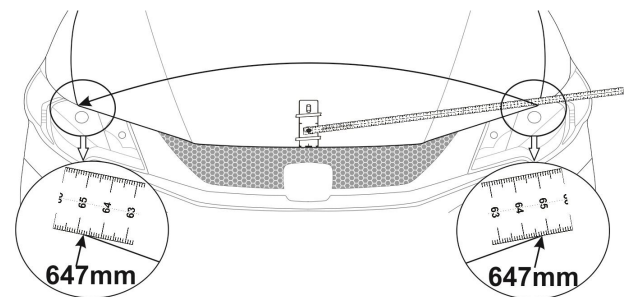
INSTALLATION

- Make sure the vehicle is clean and completely dry before installation.
 - This product uses a 3M adhesive product that requires installation and curing temperatures of at least 20°C/ 70°F for 24 hours to develop maximum adhesion to the surface. Failure to install this product at the proper temperature or allow adequate curing time before use is not covered under warranty.
 - Proper installation of the adhesive pedestal system requires the use of a #2 Phillips screwdriver, preferably with a long shaft. The shaft of the screwdriver needs to fit through the hole in the pedestal. Use of the correct screw driver will facilitate a trouble free installation. Do not attempt to use #1 or smaller Phillips screwdriver or any type of electric screwdriver.
1. Insert a pin through the hole in the tape measure end and into one of the large adhesive pedestals.
 2. Install one of the #6 x 5/8 flat head screws into the pedestal.

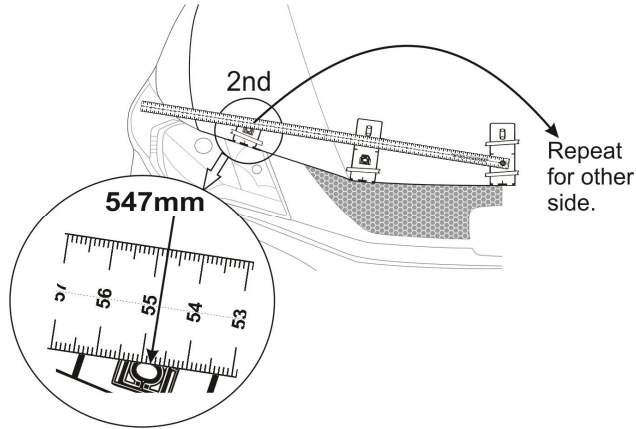
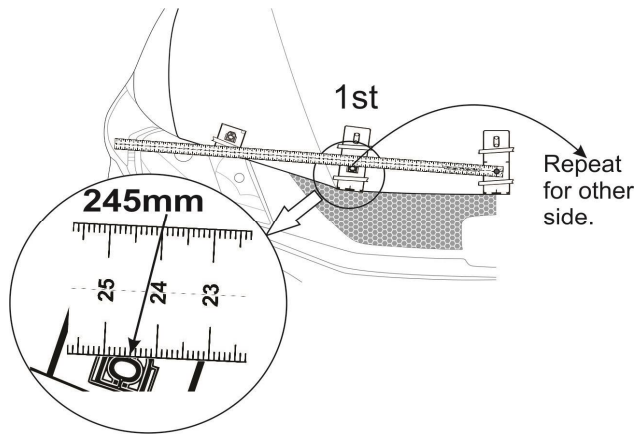


Locate centre pedestal using tape measure

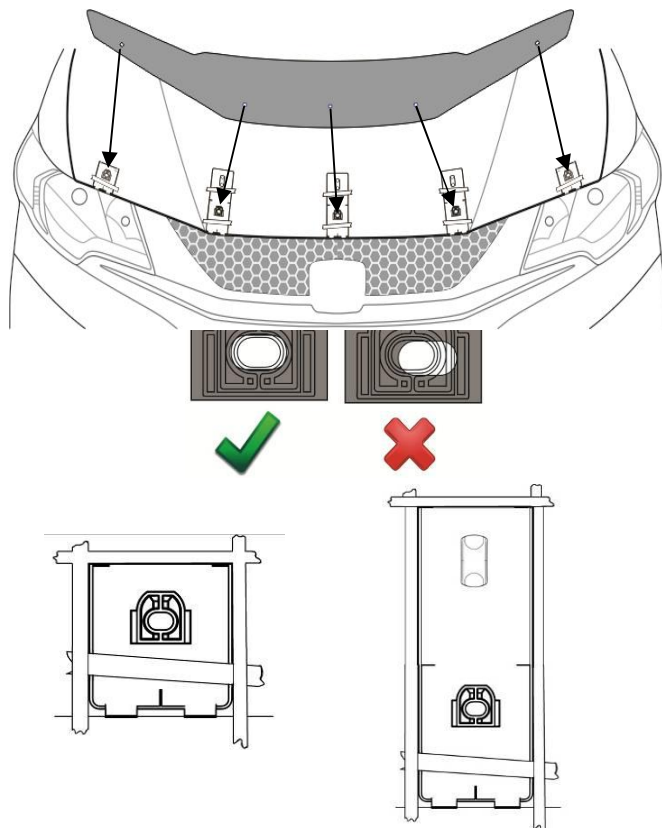
3. Using the repositionable tape strips supplied, dry fit the centre pedestal into the middle of the hood. **NOTE:** The fingers incorporated on the leading edge of the pedestal ensure the correct position relative to the hood edge. When correctly positioned the fingers should contact the leading edge of hood.



* Tape measure is always located above the measuring point*



* Tape measure is always located above the measuring point



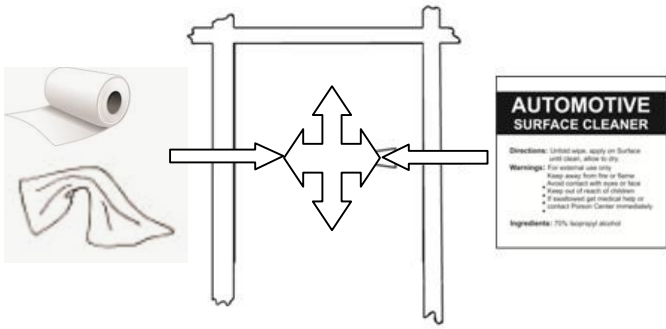
Locate remaining pedestals using tape measure

4. Dry fit the side adhesive pedestals using repositionable tape strips supplied to hold them in position - refer to illustrations.

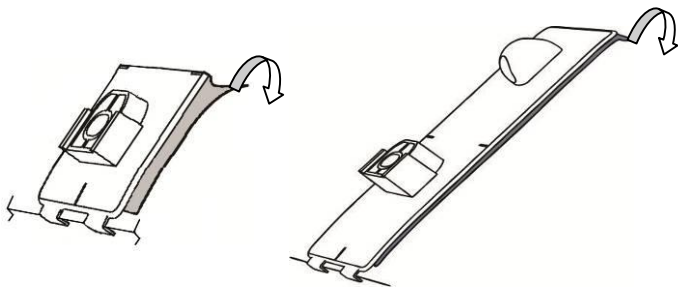
NOTE: Always measure to the top centre of the hole on each pedestal. The fingers incorporated on the leading edge of the pedestal ensure the correct position relative to the hood edge. When correctly positioned the fingers should contact the leading edge of the hood.

5. Uninstall the tape measure. Place the hood pro on the pedestals to confirm proper positioning. Ensure the holes in the hood protector align with those in the pedestals. If necessary, reposition the pedestals so all attachment positions are correct and the deflector is well centered.

6. Remove the hood protector, and outline the perimeter of the pedestals with the repositionable tape strips supplied.

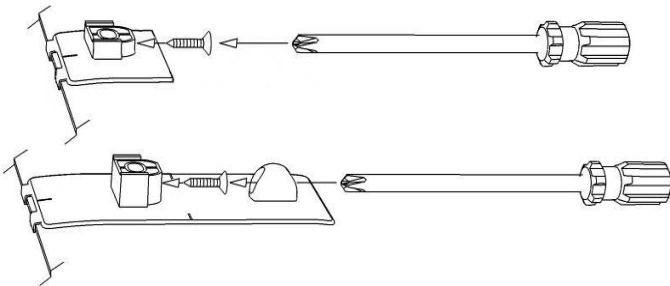


- Remove the pedestals and thoroughly clean the outlined area with the alcohol wiping pad and then dry with paper towel or a clean cloth. This will insure all wax, finger prints and oils are removed from the hood surface in the bonding area.

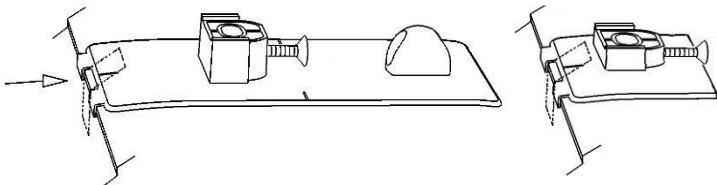


- Remove the protective backing from the adhesive on the pedestals and install them on the hood surface.

NOTE: Hook the fingers on the pedestal over the hood edge and rotate the unit into position. After installation, remove the tape strips and wet out the adhesive to the hood surface by applying pressure with your thumb around the surface of the pedestals.



- Start a #6 x 5/8 flat head screw into each pedestal a few turns. The tip of the screw must not protrude into the hole where the attachment pin will install later.



- Peel and fold the anti abrasion film pad in half over the hood edge between the fingers on the pedestal.

11. Push a metal mounting bracket over the hood edge on top of the anti abrasion pad installed previously. Ensure the bracket is fully engaged over the hood edge and the hole in the bracket is aligned with the hole in the pedestal.

12. Place the hood protector on the pedestals, starting at the centre location; drop a pin through the protector and into the pedestal. Maintain slight pressure on the pin, to ensure proper seating of the components, while simultaneously tightening the screw. Repeat for remaining pedestal locations.

CARE

Hand clean the hood protector using a mild soap and water solution or plastic cleaner only.

Avoid automatic car-wash equipment where a brush and/or soft cloth come in contact with the deflector. Touch-less style automatic car-wash equipment is less likely to harm the deflector.

Service

Periodically check to confirm the protector is securely attached to the hood.

WARNINGS

Do not pull/push on the protector when opening/closing the hood.